



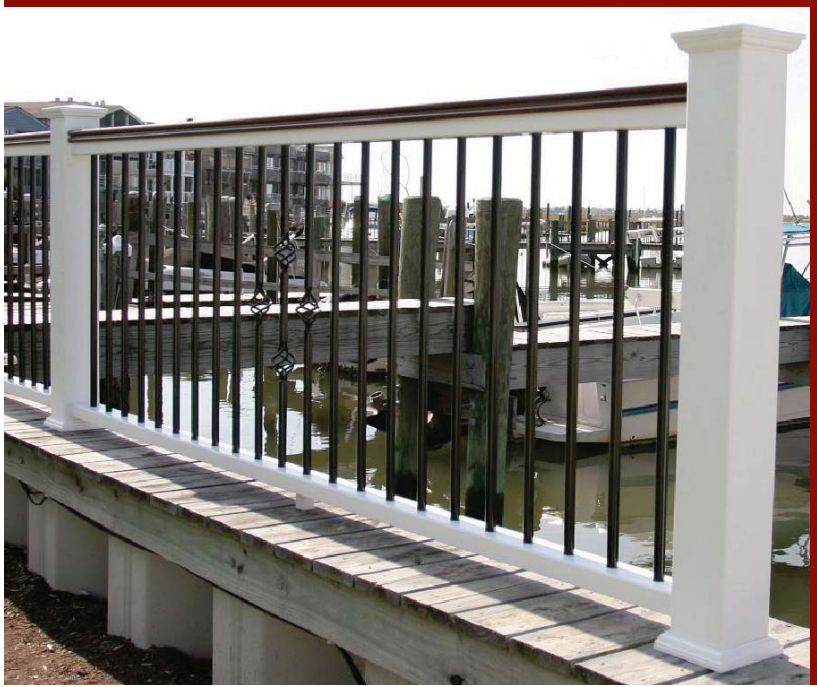
rdi®

For home, for life.®

PORCH RAIL™



Endurance





So, you're looking for something uniquely yours...

Thinking about adding a new look to your porch or deck but can't seem to find exactly what you're looking for? If it's something low maintenance, easy to install, and at the same time reflects your personal style that you want, then have we got the product for you...

Porch Rail™ from the Endurance® family of products offers safe, quality railings that you and your family can depend on while allowing you to easily design a beautiful, unique look that will be the envy of the neighborhood. Porch Rail has it all; multiple baluster options, a textured or factory finished white top cap, hidden brackets and fasteners, and easy wiring capabilities for lighting or speakers and more!

Not only do you have piece of mind with a railing from a name you know and trust but now you can make your outdoor living space fun! Add a splash of color to your porch or deck, light up your nights with some low voltage lighting, or easily add wire for your own personal sound system so you can listen to your favorite tunes while you relax after a long day. With Porch Rail, If you can imagine it, you can do it!

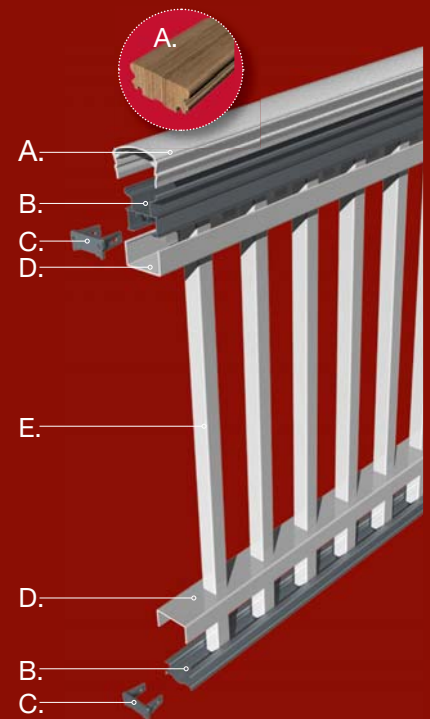
A.
Top Cover is available in white, textured (unfinished for painting), or wood. The wood profile (inset) can be custom made in a wood species of your choice or any wood top or composite deck board can be milled to fit the aluminum structure.

B.
Aluminum Top & Bottom Beams provide channels to accommodate various baluster styles. The top center channel is designed to accept wiring for low-voltage lighting or speakers.

C.
Heavy-cast brackets interlock securely with the aluminum beams. All brackets and fasteners are hidden for a clean finish.

D.
Patented Beam covers are designed to "snap-fit" over the aluminum beams for a simple installation.

E.
Balusters are available in four styles: 1 1/4" square, 1 1/4" turned, 3/4" round, and glass. No additional fasteners are required, further simplifying installation.



**See back cover for wiring illustration*



rdi[®]

RAILING DYNAMICS, INC.

For home, for life.[®]

135 Steelmanville Road
Egg Harbor Township, NJ 08234

TEL: (877) 420-7245
FAX: (866) 277-5160
E-MAIL: cs@rdirail.com
URL: www.rdirail.com

The Porch Rail Railing System exceeds U.S. building code requirements and has been independently tested. Visit www.rdirail.com to view testing data online or print a report.

Always consult your local Building Code Department for applicable regulations and product acceptance.

For additional information on Porch Rail or other RDI products visit www.rdirail.com or contact our Customer Service Department at (877) 420-7245.

Please note that the color representations in this brochure are not necessarily precise representations of actual material colors due to the variance in the printing process. Please consult an actual sample before making any critical color matching decisions.

*Add wiring to your Porch Rail in just 4 easy steps...

1.

Remove Top Cap.

2.

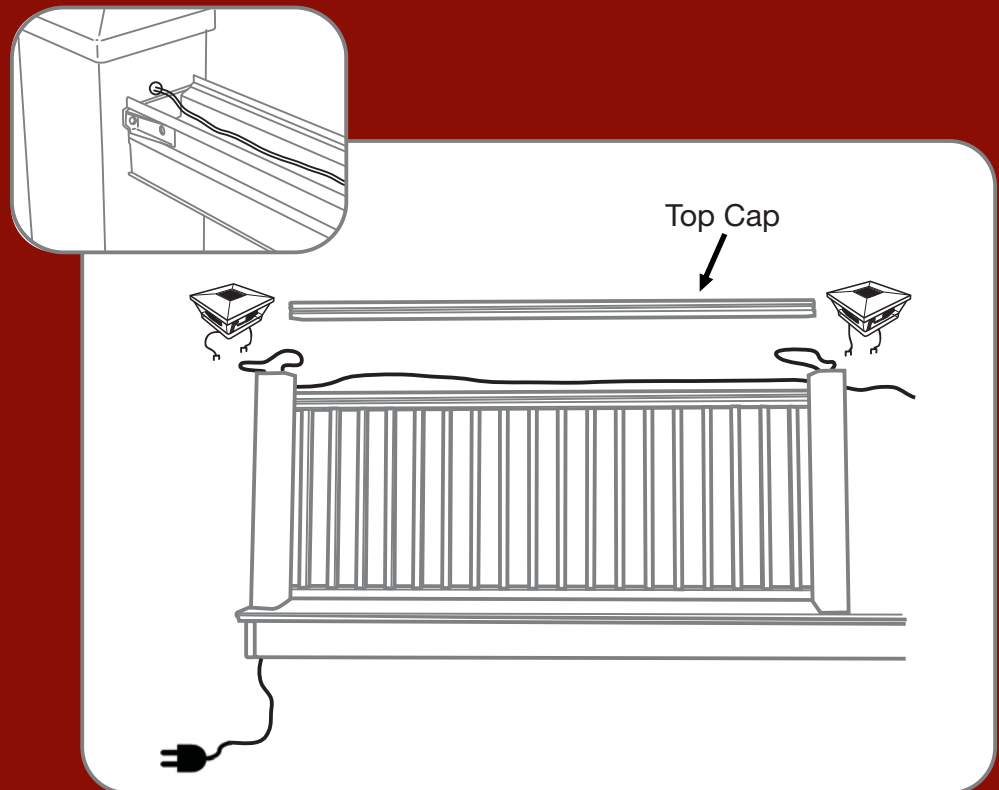
Drill through posts at desired wire placement areas and run wiring for lighting or speakers.

3.

Clip lights or attach speakers to the wire.

4.

Replace Top Cap.



Endurance[®]